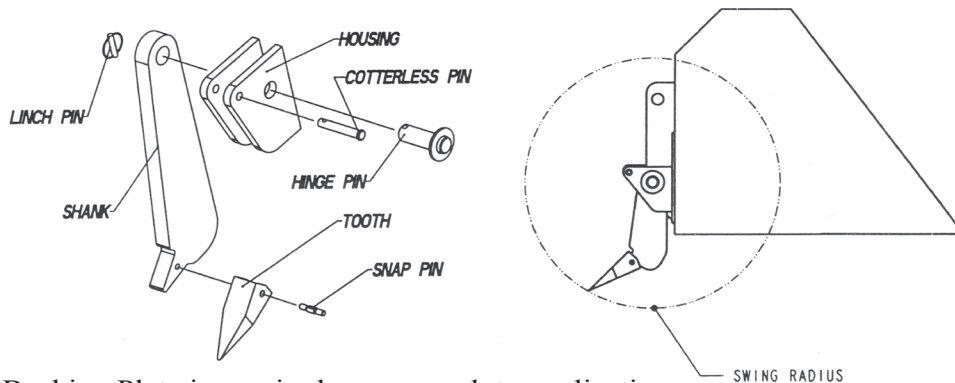
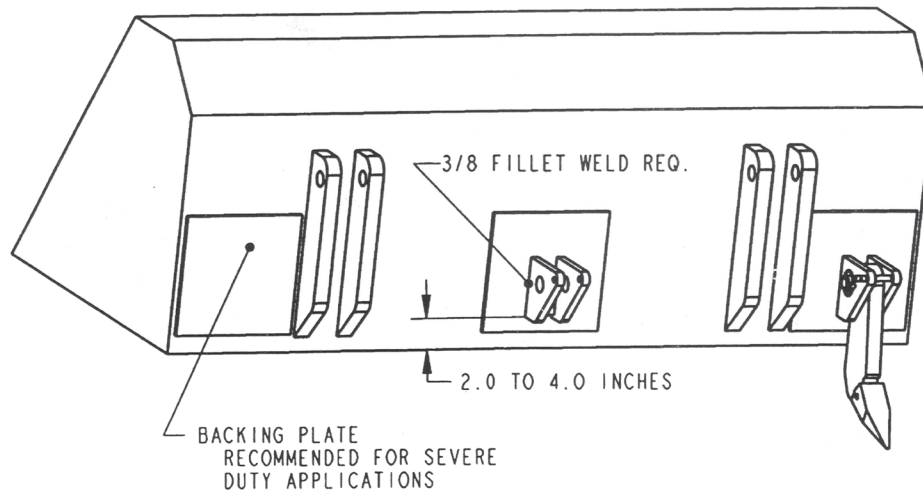




Demand Tough • Demand Vail

Installation Instructions

2L & 4L



1. Backing Plate is required on severe duty applications
 - Recommended Backing plate dimensions 10" x 8" x 1/4" Thick
2. Housings should be equally spaced on the bucket
 - Minimum spacing between housings is 4"
 - Housing should be mounted 2-4" from the bottom of the bucket
3. Fillet weldment size between housing and bucket is 3/8"
4. Vail recommends installing between 4 and 8 housing per bucket

The number of housing is dependent on the geometric features of the bucket
5. The minimum swing radius for the shank is 11" for the 2L and 18" for the 4L
6. The 2L and 4L Backup Rippers do not require lubrication
7. The 2L and 4L Backup Rippers are not designed to be used with loader quick couplers
8. Penetration for the 2L is between 4" to 6"; Penetration for the 4L is between 8" to 10"

Product Disclaimer

Vail Products is not responsible for any direct, contingent, or consequential damages to machinery or persons resulting from the installation or use of its products